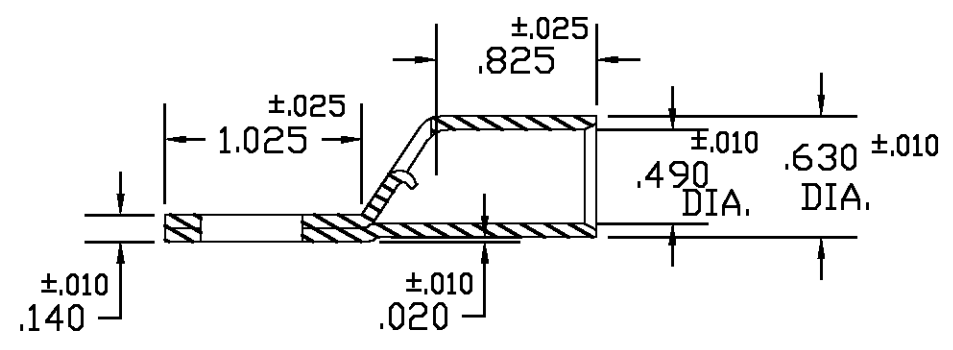
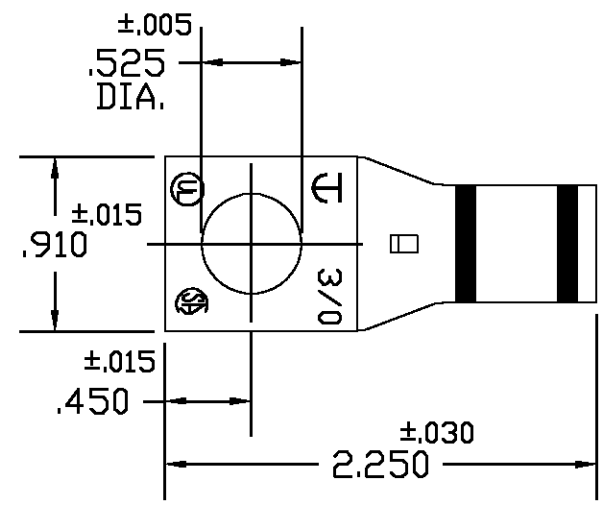


THIS DRAWING IS UNPUBLISHED. RELEASED FOR PUBLICATION
 © COPYRIGHT BY TYCO ELECTRONICS CORPORATION. ALL RIGHTS RESERVED.

LOC	DIST	REVISIONS					
		P	LTR	DESCRIPTION	DATE	DWN	APVD
G	50		A	REV PER 0G3H-0048-04	18FEB04	JR	MS



COLOR CODED ORANGE

ACTIVE	30507	STANDARD	COLOR CODED	1527243-3
STATUS	AET P/N	PACKAGING	FINISH	PART NUMBER

THIS DRAWING IS A CONTROLLED DOCUMENT.		DWN D.A.A 11/15/00	Tyco Electronics Corporation Harrisburg, PA 17105-3608	
DIMENSIONS: INCHES		CHK H.D.F 11/15/00		
		APVD H.D.F 11/15/00	NAME TUBULAR TERMINAL #3/0 STD. BARREL	
TOLERANCES UNLESS OTHERWISE SPECIFIED:		PRODUCT SPEC	SIZE	
0 PLC ± -	1 PLC ± -	APPLICATION SPEC	CAGE CODE	DRAWING NO
2 PLC ± -	3 PLC ± -	WEIGHT	A3 00779	C-1527243
4 PLC ± -	ANGLES ± -	CUSTOMER DRAWING	RESTRICTED TO	
MATERIAL COPPER ASTM B-75	FINISH	SCALE	SHEET	REV
		1:1	1 OF 1	A